

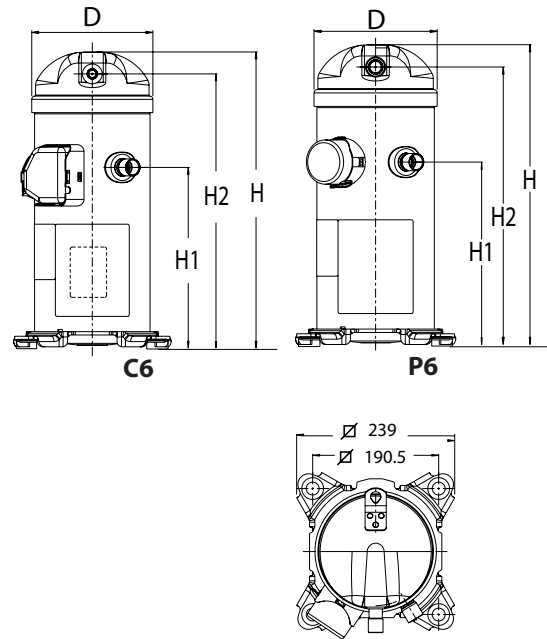


**Residential and light commercial  
scroll compressors  
50 Hz  
R407C - R22 - R410A**

## Dimensions

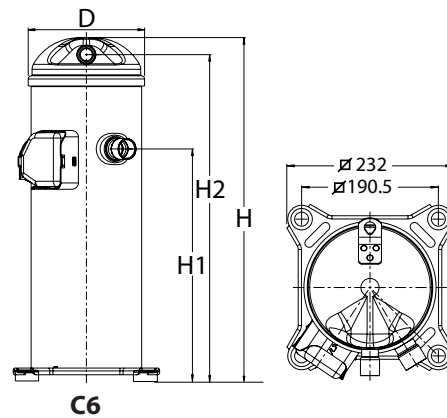
| R22    | R407C  | R410A  | D   | H   | H1  | H2  |
|--------|--------|--------|-----|-----|-----|-----|
| HRM032 | HRP038 | HRH031 | 165 | 420 | 257 | 386 |
| HRM034 | HRP040 | HRH032 |     |     |     |     |
| HRM040 | HRP042 | HRH034 |     |     |     |     |
| HRM042 |        | HRH036 |     |     |     |     |
| HRM045 | HRP045 | HRH038 | 165 | 446 | 282 | 412 |
| HRM047 | HRP047 | HRH040 |     |     |     |     |
| HRM048 | HRP048 | HRH041 | 184 | 462 | 287 | 429 |
| HRM051 | HRP051 | HRH044 |     |     |     |     |
| HRM054 | HRP054 | HRH049 |     |     |     |     |
| HRM058 | HRP058 | HRH051 |     |     |     |     |
| HRM060 | HRP060 | HRH054 |     |     |     |     |
| HLM068 | HLP068 | HRH056 |     |     |     |     |
| HLM072 | HLP072 | HLH068 |     |     |     |     |
| HLM075 | HLP075 | HLJ072 |     |     |     |     |
| HLM078 | HLP081 | HLJ083 |     |     |     |     |
| HLM081 |        |        |     |     |     |     |

All dimensions in mm



| R22    | R407C  | D   | H   | H1  | H2  |
|--------|--------|-----|-----|-----|-----|
| HCM094 | HCP094 | 184 | 539 | 372 | 512 |
| HCM109 | HCP109 | 184 | 548 | 372 | 522 |
| HCM120 | HCP120 |     |     |     |     |

All dimensions in mm



Please check with Danfoss for availability of C6 / P6 and other features.

| Type       | Size       | Motor      | Features  |
|------------|------------|------------|-----------|
| <b>HRH</b> | <b>036</b> | <b>U1L</b> | <b>P6</b> |

**Application:** \_\_\_\_\_  
**H:** high temperature / air conditioning

**Family:** \_\_\_\_\_  
**C:** light commercial scroll  
**R:** residential scroll (new platform)  
**L:** light commercial scroll (new platform)

**Refrigerant & lubricant:** \_\_\_\_\_  
**M:** R22, mineral or alkylbenzene oil  
**P:** R407C, POE lubricant  
**H:** R410A, POE lubricant  
**J:** R410A, PVE lubricant

**Nominal capacity:** \_\_\_\_\_  
 In thousand Btu/h at 60 Hz, ARI conditions

**Model variation** \_\_\_\_\_  
**T:** design optimized for 7.2/54.4 (45/130)  
**U:** design optimized for 7.2/37.8 (45/100)

**Other features**

|          | Oil sight glass | Oil equalisation | Oil drain | LP gauge port |
|----------|-----------------|------------------|-----------|---------------|
| <b>2</b> | None            | None             | None      | Schrader      |
| <b>6</b> | None            | None             | None      | None          |
| <b>7</b> | Threaded        | None             | None      | None          |
| <b>8</b> | None            | Brazed           | None      | None          |

**Tubing and electrical connections**  
**P:** brazed connections, spade terminals  
**C:** brazed connections, screw terminals

**Motor protection**  
**L:** internal motor protection

**Motor voltage code**  
**1:** 208-230V/1~/60 Hz  
**2:** 208-230V/3~/60 Hz  
**4:** 380-400V/3~/50 Hz & 460V/3~/60 Hz  
**5:** 220-240V/1~/50 Hz & 265V/1~/60 Hz  
**7:** 500V/3~/50 Hz & 575V/3~/60 Hz  
**9:** 380V/3~/60 Hz

|                         | Model                   | To<br>Tc | -20   |        | -15    |        | -10    |        | -5     |        | 0      |        | 5      |        | 10     |      |
|-------------------------|-------------------------|----------|-------|--------|--------|--------|--------|--------|--------|--------|--------|--------|--------|--------|--------|------|
|                         |                         |          | Qo    | Pe     | Qo     | Pe     | Qo     | Pe     | Qo     | Pe     | Qo     | Pe     | Qo     | Pe     | Qo     | Pe   |
| RESIDENTIAL SCROLL      | HRM040U4                | 35       | 4 140 | 1.99   | 5 030  | 1.97   | 6 190  | 1.96   | 7 580  | 1.94   | 9 190  | 1.92   | 11 000 | 1.88   | 13 000 | 1.82 |
|                         |                         | 45       | -     | -      | -      | -      | 5 500  | 2.48   | 6 820  | 2.44   | 8 320  | 2.42   | 9 980  | 2.40   | 11 790 | 2.38 |
|                         |                         | 55       | -     | -      | -      | -      | -      | -      | 5 880  | 3.14   | 7 330  | 3.07   | 8 910  | 3.03   | 10 590 | 3.02 |
|                         | HRM042U4                | 35       | 4 340 | 2.09   | 5 280  | 2.07   | 6 490  | 2.05   | 7 950  | 2.04   | 9 650  | 2.01   | 11 550 | 1.97   | 13 640 | 1.91 |
|                         |                         | 45       | -     | -      | -      | -      | 5 780  | 2.60   | 7 160  | 2.57   | 8 730  | 2.54   | 10 480 | 2.52   | 12 380 | 2.50 |
|                         |                         | 55       | -     | -      | -      | -      | -      | -      | 6 170  | 3.29   | 7 700  | 3.23   | 9 350  | 3.19   | 11 120 | 3.17 |
|                         | HRM045U4                | 35       | 4 690 | 2.22   | 5 710  | 2.19   | 7 020  | 2.17   | 8 600  | 2.16   | 10 430 | 2.13   | 12 480 | 2.09   | 14 750 | 2.02 |
|                         |                         | 45       | -     | -      | -      | -      | 6 220  | 2.81   | 7 710  | 2.77   | 9 410  | 2.74   | 11 290 | 2.72   | 13 330 | 2.70 |
|                         |                         | 55       | -     | -      | -      | -      | -      | -      | 6 620  | 3.64   | 8 260  | 3.56   | 10 030 | 3.52   | 11 930 | 3.50 |
|                         | HRM047U4                | 35       | 4 910 | 2.32   | 5 970  | 2.30   | 7 340  | 2.28   | 8 990  | 2.26   | 10 900 | 2.24   | 13 050 | 2.19   | 15 420 | 2.12 |
|                         |                         | 45       | -     | -      | -      | -      | 6 530  | 2.93   | 8 090  | 2.88   | 9 870  | 2.86   | 11 840 | 2.83   | 13 980 | 2.81 |
|                         |                         | 55       | -     | -      | -      | -      | -      | -      | 6 970  | 3.75   | 8 690  | 3.68   | 10 560 | 3.63   | 12 550 | 3.61 |
|                         | HRM048U4                | 35       | 4 940 | 2.36   | 6 020  | 2.36   | 7 390  | 2.36   | 9 060  | 2.35   | 10 980 | 2.33   | 13 150 | 2.29   | 15 540 | 2.23 |
|                         |                         | 45       | -     | -      | -      | -      | 6 550  | 2.94   | 8 120  | 2.92   | 9 910  | 2.90   | 11 890 | 2.88   | 14 040 | 2.86 |
| 55                      |                         | -        | -     | -      | -      | -      | -      | 6 970  | 3.67   | 8 690  | 3.64   | 10 560 | 3.62   | 12 550 | 3.61   |      |
| HRM051U4                | 35                      | 5 310    | 2.48  | 6 460  | 2.47   | 7 940  | 2.47   | 9 730  | 2.46   | 11 800 | 2.44   | 14 130 | 2.40   | 16 680 | 2.34   |      |
|                         | 45                      | -        | -     | -      | -      | 7 160  | 3.11   | 8 870  | 3.09   | 10 820 | 3.08   | 12 990 | 3.06   | 15 340 | 3.04   |      |
|                         | 55                      | -        | -     | -      | -      | -      | -      | 7 760  | 3.95   | 9 670  | 3.91   | 11 760 | 3.89   | 13 990 | 3.88   |      |
| HRM051T4 *              | 35                      | *        |       |        |        |        |        |        |        |        |        |        |        |        |        |      |
|                         | 45                      | *        |       |        |        |        |        |        |        |        |        |        |        |        |        |      |
|                         | 55                      | *        |       |        |        |        |        |        |        |        |        |        |        |        |        |      |
| HRM054U4                | 35                      | 5 620    | 2.60  | 6 840  | 2.60   | 8 410  | 2.60   | 10 300 | 2.59   | 12 490 | 2.56   | 14 950 | 2.52   | 17 660 | 2.46   |      |
|                         | 45                      | -        | -     | -      | -      | 7 530  | 3.25   | 9 340  | 3.23   | 11 390 | 3.21   | 13 670 | 3.19   | 16 140 | 3.17   |      |
|                         | 55                      | -        | -     | -      | -      | -      | -      | 8 110  | 4.09   | 10 110 | 4.05   | 12 290 | 4.03   | 14 620 | 4.02   |      |
| HRM058U4                | 35                      | 6 030    | 2.79  | 7 340  | 2.79   | 9 020  | 2.79   | 11 050 | 2.77   | 13 400 | 2.75   | 16 040 | 2.71   | 18 950 | 2.64   |      |
|                         | 45                      | -        | -     | -      | -      | 8 070  | 3.48   | 10 010 | 3.46   | 12 210 | 3.44   | 14 650 | 3.42   | 17 300 | 3.40   |      |
|                         | 55                      | -        | -     | -      | -      | -      | -      | 8 690  | 4.38   | 10 830 | 4.34   | 13 160 | 4.32   | 15 660 | 4.31   |      |
| HRM060U4                | 35                      | 6 230    | 2.88  | 7 580  | 2.88   | 9 320  | 2.88   | 11 420 | 2.87   | 13 850 | 2.84   | 16 580 | 2.80   | 19 580 | 2.73   |      |
|                         | 45                      | -        | -     | -      | -      | 8 350  | 3.60   | 10 340 | 3.58   | 12 620 | 3.56   | 15 140 | 3.54   | 17 880 | 3.51   |      |
|                         | 55                      | -        | -     | -      | -      | -      | -      | 8 980  | 4.53   | 11 200 | 4.49   | 13 610 | 4.47   | 16 180 | 4.45   |      |
| HRM060T4                | 35                      | 6 130    | 2.75  | 7 460  | 2.72   | 9 190  | 2.73   | 11 270 | 2.78   | 13 670 | 2.85   | 16 360 | 2.93   | 19 310 | 3.00   |      |
|                         | 45                      | -        | -     | -      | -      | 8 210  | 3.42   | 10 190 | 3.45   | 12 440 | 3.49   | 14 920 | 3.53   | 17 590 | 3.54   |      |
|                         | 55                      | -        | -     | -      | -      | -      | -      | 8 830  | 4.15   | 11 020 | 4.24   | 13 390 | 4.31   | 15 890 | 4.36   |      |
| LIGHT COMMERCIAL SCROLL | HLM068T5 <sup>1</sup> * | 35       | *     |        |        |        |        |        |        |        |        |        |        |        |        |      |
|                         |                         | 45       | *     |        |        |        |        |        |        |        |        |        |        |        |        |      |
|                         |                         | 55       | *     |        |        |        |        |        |        |        |        |        |        |        |        |      |
|                         | HLM072T5 <sup>1</sup>   | 35       | 7 610 | 3.66   | 9 250  | 3.66   | 11 380 | 3.65   | 13 940 | 3.64   | 16 900 | 3.61   | 20 230 | 3.55   | 23 900 | 3.46 |
|                         |                         | 45       | -     | -      | -      | -      | 10 100 | 4.50   | 12 520 | 4.48   | 15 270 | 4.45   | 18 320 | 4.43   | 21 640 | 4.39 |
|                         |                         | 55       | -     | -      | -      | -      | -      | -      | 10 770 | 5.57   | 13 430 | 5.52   | 16 310 | 5.49   | 19 400 | 5.48 |
|                         | HLM075T4                | 35       | 7 660 | 3.70   | 9 310  | 3.70   | 11 450 | 3.70   | 14 030 | 3.68   | 17 010 | 3.65   | 20 360 | 3.59   | 24 040 | 3.51 |
|                         |                         | 45       | -     | -      | -      | -      | 10 310 | 4.51   | 12 780 | 4.49   | 15 590 | 4.46   | 18 710 | 4.44   | 22 090 | 4.40 |
|                         |                         | 55       | -     | -      | -      | -      | -      | -      | 11 170 | 5.52   | 13 920 | 5.48   | 16 920 | 5.45   | 20 130 | 5.43 |
|                         | HLM078T4 *              | 35       | *     |        |        |        |        |        |        |        |        |        |        |        |        |      |
|                         |                         | 45       | *     |        |        |        |        |        |        |        |        |        |        |        |        |      |
|                         |                         | 55       | *     |        |        |        |        |        |        |        |        |        |        |        |        |      |
|                         | HLM081T4                | 35       | 8 350 | 4.03   | 10 160 | 4.04   | 12 490 | 4.03   | 15 300 | 4.02   | 18 550 | 3.98   | 22 210 | 3.92   | 26 230 | 3.82 |
|                         |                         | 45       | -     | -      | -      | -      | 11 190 | 4.90   | 13 870 | 4.87   | 16 920 | 4.85   | 20 300 | 4.82   | 23 980 | 4.78 |
| 55                      |                         | -        | -     | -      | -      | -      | -      | 12 060 | 5.96   | 15 030 | 5.91   | 18 260 | 5.88   | 21 720 | 5.86   |      |
| HCM094T4                | 35                      | 9 690    | 4.78  | 11 780 | 4.79   | 14 480 | 4.78   | 17 750 | 4.76   | 21 520 | 4.72   | 25 760 | 4.64   | 30 420 | 4.54   |      |
|                         | 45                      | -        | -     | -      | -      | 12 970 | 5.78   | 16 080 | 5.75   | 19 620 | 5.72   | 23 540 | 5.68   | 27 800 | 5.64   |      |
|                         | 55                      | -        | -     | -      | -      | -      | -      | 13 970 | 6.99   | 17 420 | 6.93   | 21 170 | 6.89   | 25 170 | 6.87   |      |
| HCM109T4                | 35                      | 11 140   | 5.85  | 13 560 | 5.80   | 16 660 | 5.76   | 20 420 | 5.71   | 24 760 | 5.64   | 29 640 | 5.54   | 35 000 | 5.38   |      |
|                         | 45                      | -        | -     | -      | -      | 14 970 | 6.90   | 18 550 | 6.80   | 22 640 | 6.73   | 27 160 | 6.68   | 32 080 | 6.62   |      |
|                         | 55                      | -        | -     | -      | -      | -      | -      | 16 180 | 8.15   | 20 170 | 7.98   | 24 510 | 7.88   | 29 150 | 7.82   |      |
| HCM120T4                | 35                      | 12 170   | 6.25  | 14 800 | 6.26   | 18 190 | 6.26   | 22 290 | 6.23   | 27 030 | 6.17   | 32 360 | 6.07   | 38 210 | 5.94   |      |
|                         | 45                      | -        | -     | -      | -      | 16 340 | 7.41   | 20 250 | 7.37   | 24 710 | 7.33   | 29 650 | 7.28   | 35 020 | 7.23   |      |
|                         | 55                      | -        | -     | -      | -      | -      | -      | 17 650 | 8.74   | 22 010 | 8.67   | 26 740 | 8.62   | 31 810 | 8.59   |      |

\* Consult Danfoss for product availability

Legend: **To:** Evaporating temperature in °C  
**Tc:** Condensing temperature in °C

**Qo:** Cooling capacity in W  
**Pe:** Power input in kW

Superheat = 11.1 K  
 Subcooling = 8.3 K

Voltage: 400 V / 3 / 50 Hz  
<sup>1</sup>: Voltage: 220-240 V / 1 / 50 Hz

**HRP/HLP/HCP**
**Performance data**
**R407C**

|                                | To                 | -25   |       | -20    |       | -15    |       | -10    |        | -5     |        | 0      |        | 5      |        | 10     |        |      |
|--------------------------------|--------------------|-------|-------|--------|-------|--------|-------|--------|--------|--------|--------|--------|--------|--------|--------|--------|--------|------|
|                                | Tc                 | Qo    | Pe    | Qo     | Pe    | Qo     | Pe    | Qo     | Pe     | Qo     | Pe     | Qo     | Pe     | Qo     | Pe     | Qo     | Pe     |      |
| <b>RESIDENTIAL SCROLL</b>      | <b>Model</b>       |       |       |        |       |        |       |        |        |        |        |        |        |        |        |        |        |      |
|                                | <b>HRP038T4</b>    | 35    | 2 710 | 1.85   | 3 480 | 1.83   | 4 410 | 1.82   | 5 530  | 1.81   | 6 850  | 1.80   | 8 390  | 1.78   | 10 180 | 1.75   | 12 210 | 1.71 |
|                                |                    | 45    | -     | -      | 3 060 | 2.32   | 3 910 | 2.31   | 4 920  | 2.30   | 6 120  | 2.29   | 7 520  | 2.27   | 9 150  | 2.25   | 11 020 | 2.21 |
|                                |                    | 55    | -     | -      | -     | -      | -     | -      | 4 230  | 2.91   | 5 300  | 2.90   | 6 570  | 2.89   | 8 050  | 2.87   | 9 750  | 2.84 |
|                                | <b>HRP040T4</b>    | 35    | 2 850 | 2.02   | 3 670 | 2.01   | 4 660 | 2.00   | 5 840  | 1.99   | 7 230  | 1.97   | 8 860  | 1.95   | 10 740 | 1.92   | 12 890 | 1.87 |
|                                |                    | 45    | -     | -      | 3 180 | 2.57   | 4 070 | 2.55   | 5 130  | 2.54   | 6 380  | 2.52   | 7 850  | 2.51   | 9 540  | 2.48   | 11 500 | 2.44 |
|                                |                    | 55    | -     | -      | -     | -      | -     | -      | 4 350  | 3.24   | 5 460  | 3.23   | 6 770  | 3.22   | 8 290  | 3.20   | 10 040 | 3.17 |
|                                | <b>HRP042T4</b>    | 35    | 3 000 | 2.13   | 3 860 | 2.11   | 4 900 | 2.10   | 6 140  | 2.09   | 7 600  | 2.08   | 9 320  | 2.06   | 11 290 | 2.02   | 13 560 | 1.97 |
|                                |                    | 45    | -     | -      | 3 350 | 2.70   | 4 280 | 2.68   | 5 400  | 2.67   | 6 710  | 2.65   | 8 250  | 2.64   | 10 040 | 2.61   | 12 090 | 2.56 |
|                                |                    | 55    | -     | -      | -     | -      | -     | -      | 4 570  | 3.41   | 5 750  | 3.40   | 7 120  | 3.38   | 8 710  | 3.36   | 10 550 | 3.33 |
|                                | <b>HRP045T4</b>    | 35    | 3 270 | 2.19   | 4 200 | 2.16   | 5 320 | 2.15   | 6 670  | 2.14   | 8 260  | 2.13   | 10 120 | 2.11   | 12 270 | 2.07   | 14 720 | 2.01 |
|                                |                    | 45    | -     | -      | 3 730 | 2.85   | 4 750 | 2.83   | 5 970  | 2.81   | 7 430  | 2.80   | 9 130  | 2.78   | 11 110 | 2.75   | 13 380 | 2.70 |
| 55                             |                    | -     | -     | -      | -     | -      | -     | 5 180  | 3.70   | 6 490  | 3.69   | 8 040  | 3.67   | 9 840  | 3.65   | 11 930 | 3.62   |      |
| <b>HRP047T4</b>                | 35                 | 3 440 | 2.30  | 4 410  | 2.28  | 5 600  | 2.26  | 7 020  | 2.25   | 8 690  | 2.24   | 10 650 | 2.22   | 12 910 | 2.18   | 15 500 | 2.12   |      |
|                                | 45                 | -     | -     | 3 870  | 2.97  | 4 940  | 2.94  | 6 220  | 2.93   | 7 740  | 2.91   | 9 510  | 2.89   | 11 570 | 2.86   | 13 930 | 2.81   |      |
|                                | 55                 | -     | -     | -      | -     | -      | -     | 5 320  | 3.81   | 6 680  | 3.80   | 8 280  | 3.78   | 10 130 | 3.76   | 12 270 | 3.73   |      |
| <b>HRP048T4</b>                | 35                 | 3 460 | 2.39  | 4 450  | 2.38  | 5 640  | 2.37  | 7 070  | 2.36   | 8 760  | 2.35   | 10 730 | 2.32   | 13 010 | 2.28   | 15 620 | 2.23   |      |
|                                | 45                 | -     | -     | 3 870  | 2.88  | 4 950  | 2.87  | 6 240  | 2.86   | 7 760  | 2.85   | 9 530  | 2.83   | 11 600 | 2.80   | 13 970 | 2.75   |      |
|                                | 55                 | -     | -     | -      | -     | -      | -     | 5 300  | 3.44   | 6 660  | 3.44   | 8 250  | 3.42   | 10 100 | 3.40   | 12 230 | 3.37   |      |
| <b>HRP051T4 *</b>              | 35                 | *     |       |        |       |        |       |        |        |        |        |        |        |        |        |        |        |      |
|                                | 45                 | *     |       |        |       |        |       |        |        |        |        |        |        |        |        |        |        |      |
|                                | 55                 | *     |       |        |       |        |       |        |        |        |        |        |        |        |        |        |        |      |
| <b>HRP054T4</b>                | 35                 | 3 920 | 2.44  | 5 020  | 2.46  | 6 350  | 2.50  | 7 950  | 2.53   | 9 850  | 2.57   | 12 070 | 2.61   | 14 640 | 2.66   | 17 580 | 2.71   |      |
|                                | 45                 | -     | -     | 4 380  | 3.32  | 5 590  | 3.29  | 7 030  | 3.26   | 8 750  | 3.25   | 10 760 | 3.24   | 13 090 | 3.24   | 15 770 | 3.25   |      |
|                                | 55                 | -     | -     | -      | -     | -      | -     | 6 060  | 4.15   | 7 570  | 4.10   | 9 360  | 4.06   | 11 440 | 4.03   | 13 840 | 4.01   |      |
| <b>HRP058T4</b>                | 35                 | 4 200 | 2.61  | 5 380  | 2.64  | 6 810  | 2.67  | 8 530  | 2.71   | 10 560 | 2.75   | 12 940 | 2.80   | 15 690 | 2.85   | 18 850 | 2.91   |      |
|                                | 45                 | -     | -     | 4 700  | 3.55  | 5 990  | 3.52  | 7 540  | 3.50   | 9 380  | 3.48   | 11 530 | 3.47   | 14 030 | 3.47   | 16 910 | 3.49   |      |
|                                | 55                 | -     | -     | -      | -     | -      | -     | 6 490  | 4.45   | 8 120  | 4.39   | 10 040 | 4.35   | 12 270 | 4.32   | 14 840 | 4.30   |      |
| <b>HRP060T4</b>                | 35                 | 4 350 | 2.71  | 5 560  | 2.74  | 7 040  | 2.78  | 8 820  | 2.81   | 10 920 | 2.85   | 13 380 | 2.90   | 16 230 | 2.95   | 19 490 | 3.02   |      |
|                                | 45                 | -     | -     | 4 850  | 3.65  | 6 180  | 3.61  | 7 780  | 3.58   | 9 670  | 3.55   | 11 890 | 3.54   | 14 470 | 3.54   | 17 440 | 3.56   |      |
|                                | 55                 | -     | -     | -      | -     | -      | -     | 6 690  | 4.50   | 8 360  | 4.42   | 10 320 | 4.36   | 12 610 | 4.32   | 15 260 | 4.30   |      |
| <b>LIGHT COMMERCIAL SCROLL</b> | <b>HLP068T5 1*</b> | 35    | *     |        |       |        |       |        |        |        |        |        |        |        |        |        |        |      |
|                                |                    | 45    | *     |        |       |        |       |        |        |        |        |        |        |        |        |        |        |      |
|                                |                    | 55    | *     |        |       |        |       |        |        |        |        |        |        |        |        |        |        |      |
|                                | <b>HLP072T4</b>    | 35    | 5 160 | 3.16   | 6 590 | 3.19   | 8 350 | 3.23   | 10 470 | 3.28   | 12 970 | 3.33   | 15 890 | 3.38   | 19 270 | 3.45   | 23 130 | 3.52 |
|                                |                    | 45    | -     | -      | 5 780 | 4.30   | 7 390 | 4.27   | 9 320  | 4.24   | 11 600 | 4.22   | 14 270 | 4.21   | 17 360 | 4.21   | 20 900 | 4.23 |
|                                |                    | 55    | -     | -      | -     | -      | -     | -      | 8 060  | 5.40   | 10 110 | 5.33   | 12 520 | 5.28   | 15 310 | 5.24   | 18 520 | 5.22 |
|                                | <b>HLP075T4</b>    | 35    | 5 550 | 3.84   | 7 130 | 3.81   | 9 050 | 3.80   | 11 340 | 3.78   | 14 040 | 3.75   | 17 200 | 3.72   | 20 850 | 3.65   | 25 030 | 3.56 |
|                                |                    | 45    | -     | -      | 6 260 | 4.69   | 7 990 | 4.67   | 10 060 | 4.65   | 12 510 | 4.63   | 15 380 | 4.60   | 18 710 | 4.55   | 22 530 | 4.47 |
|                                |                    | 55    | -     | -      | -     | -      | -     | -      | 8 630  | 5.70   | 10 830 | 5.69   | 13 410 | 5.67   | 16 420 | 5.64   | 19 890 | 5.58 |
|                                | <b>HLP081T4</b>    | 35    | 5 690 | 3.93   | 7 300 | 3.91   | 9 260 | 3.89   | 11 610 | 3.87   | 14 380 | 3.85   | 17 620 | 3.81   | 21 350 | 3.75   | 25 630 | 3.65 |
|                                |                    | 45    | -     | -      | 6 440 | 4.80   | 8 210 | 4.78   | 10 340 | 4.76   | 12 860 | 4.74   | 15 810 | 4.71   | 19 230 | 4.66   | 23 150 | 4.58 |
|                                |                    | 55    | -     | -      | -     | -      | -     | -      | 8 900  | 5.83   | 11 170 | 5.81   | 13 830 | 5.79   | 16 940 | 5.76   | 20 510 | 5.70 |
| <b>HCP094T4</b>                | 35                 | 6 600 | 4.61  | 8 480  | 4.59  | 10 760 | 4.57  | 13 480 | 4.55   | 16 700 | 4.52   | 20 450 | 4.47   | 24 790 | 4.40   | 29 760 | 4.29   |      |
|                                | 45                 | -     | -     | 7 470  | 5.63  | 9 530  | 5.60  | 12 000 | 5.58   | 14 920 | 5.56   | 18 350 | 5.52   | 22 320 | 5.46   | 26 880 | 5.37   |      |
|                                | 55                 | -     | -     | -      | -     | -      | -     | 10 330 | 6.82   | 12 960 | 6.81   | 16 050 | 6.78   | 19 650 | 6.74   | 23 810 | 6.68   |      |
| <b>HCP109T4</b>                | 35                 | 7 710 | 5.83  | 9 900  | 5.81  | 12 570 | 5.80  | 15 750 | 5.77   | 19 510 | 5.73   | 23 890 | 5.67   | 28 960 | 5.58   | 34 770 | 5.45   |      |
|                                | 45                 | -     | -     | 8 700  | 6.86  | 11 100 | 6.85  | 13 980 | 6.83   | 17 390 | 6.80   | 21 380 | 6.75   | 26 000 | 6.68   | 31 310 | 6.57   |      |
|                                | 55                 | -     | -     | -      | -     | -      | -     | 11 990 | 7.97   | 15 050 | 7.96   | 18 640 | 7.93   | 22 820 | 7.88   | 27 650 | 7.79   |      |
| <b>HCP120T4</b>                | 35                 | 8 420 | 6.36  | 10 810 | 6.35  | 13 720 | 6.33  | 17 190 | 6.30   | 21 300 | 6.26   | 26 090 | 6.19   | 31 620 | 6.09   | 37 960 | 5.95   |      |
|                                | 45                 | -     | -     | 9 500  | 7.48  | 12 120 | 7.47  | 15 260 | 7.45   | 18 980 | 7.42   | 23 340 | 7.37   | 28 380 | 7.29   | 34 180 | 7.17   |      |
|                                | 55                 | -     | -     | -      | -     | -      | -     | 13 090 | 8.69   | 16 430 | 8.68   | 20 350 | 8.65   | 24 920 | 8.59   | 30 180 | 8.50   |      |

\* Consult Danfoss for product availability

Legend: **To:** Evaporating temperature in °C  
**Tc:** Condensing temperature in °C

**Qo:** Cooling capacity in W  
**Pe:** Power input in kW

Superheat = 11.1 K  
 Subcooling = 8.3 K

Voltage: 400 V / 3 / 50 Hz  
 †: Voltage: 220-240 V / 1 / 50 Hz

|                            | Model      | To<br>Tc | -20   |       | -15   |       | -10    |        | -5     |        | 0      |        | 5      |        | 10     |      |
|----------------------------|------------|----------|-------|-------|-------|-------|--------|--------|--------|--------|--------|--------|--------|--------|--------|------|
|                            |            |          | Qo    | Pe    | Qo    | Pe    | Qo     | Pe     | Qo     | Pe     | Qo     | Pe     | Qo     | Pe     | Qo     | Pe   |
| RESIDENTIAL SCROLL         | HRH031U4 * | 35       | 3 040 | 1.85  | 4 100 | 1.82  | 5 270  | 1.77   | 6 520  | 1.72   | 7 810  | 1.67   | 9 110  | 1.63   | 10 390 | 1.60 |
|                            |            | 45       | -     | -     | -     | -     | 4 410  | 2.31   | 5 610  | 2.24   | 6 850  | 2.17   | 8 100  | 2.11   | 9 330  | 2.07 |
|                            |            | 55       | -     | -     | -     | -     | -      | -      | 4 510  | 2.95   | 5 720  | 2.84   | 6 930  | 2.75   | 8 110  | 2.68 |
|                            | HRH032U4   | 35       | 3 080 | 1.82  | 4 150 | 1.78  | 5 340  | 1.74   | 6 600  | 1.69   | 7 910  | 1.64   | 9 230  | 1.60   | 10 530 | 1.56 |
|                            |            | 45       | -     | -     | -     | -     | 4 480  | 2.32   | 5 700  | 2.25   | 6 960  | 2.18   | 8 230  | 2.12   | 9 470  | 2.08 |
|                            |            | 55       | -     | -     | -     | -     | -      | -      | 4 590  | 3.04   | 5 820  | 2.93   | 7 060  | 2.83   | 8 260  | 2.76 |
|                            | HRH036U4   | 35       | 3 560 | 2.11  | 4 790 | 2.07  | 6 150  | 2.02   | 7 610  | 1.96   | 9 120  | 1.90   | 10 640 | 1.85   | 12 130 | 1.82 |
|                            |            | 45       | -     | -     | -     | -     | 5 160  | 2.67   | 6 560  | 2.59   | 8 020  | 2.51   | 9 480  | 2.44   | 10 910 | 2.40 |
|                            |            | 55       | -     | -     | -     | -     | -      | -      | 5 290  | 3.45   | 6 700  | 3.33   | 8 120  | 3.22   | 9 500  | 3.14 |
|                            | HRH038U4 * | 35       | 3 770 | 2.29  | 5 070 | 2.25  | 6 520  | 2.20   | 8 060  | 2.13   | 9 660  | 2.07   | 11 280 | 2.02   | 12 860 | 1.98 |
|                            |            | 45       | -     | -     | -     | -     | 5 440  | 2.88   | 6 920  | 2.79   | 8 450  | 2.71   | 9 990  | 2.64   | 11 500 | 2.58 |
|                            |            | 55       | -     | -     | -     | -     | -      | -      | 5 540  | 3.70   | 7 020  | 3.56   | 8 510  | 3.45   | 9 950  | 3.36 |
|                            | HRH040U4   | 35       | 4 090 | 2.49  | 5 510 | 2.45  | 7 080  | 2.39   | 8 760  | 2.32   | 10 500 | 2.25   | 12 250 | 2.19   | 13 970 | 2.15 |
|                            |            | 45       | -     | -     | -     | -     | 5 950  | 3.10   | 7 570  | 3.01   | 9 250  | 2.92   | 10 940 | 2.84   | 12 580 | 2.79 |
|                            |            | 55       | -     | -     | -     | -     | -      | -      | 6 110  | 3.95   | 7 750  | 3.81   | 9 390  | 3.69   | 10 990 | 3.59 |
| HRH041U4 *                 | 35         | 4 010    | 2.42  | 5 390 | 2.38  | 6 930 | 2.32   | 8 580  | 2.25   | 10 280 | 2.18   | 12 000 | 2.13   | 13 680 | 2.09   |      |
|                            | 45         | -        | -     | -     | -     | 5 850 | 2.99   | 7 440  | 2.90   | 9 080  | 2.81   | 10 740 | 2.73   | 12 360 | 2.68   |      |
|                            | 55         | -        | -     | -     | -     | -     | -      | 6 020  | 3.76   | 7 630  | 3.63   | 9 250  | 3.51   | 10 830 | 3.42   |      |
| HRH044U4 *                 | 35         | 4 360    | 2.55  | 5 870 | 2.50  | 7 540 | 2.44   | 9 330  | 2.37   | 11 180 | 2.30   | 13 050 | 2.24   | 14 880 | 2.19   |      |
|                            | 45         | -        | -     | -     | -     | 6 330 | 3.28   | 8 050  | 3.18   | 9 830  | 3.09   | 11 630 | 3.00   | 13 380 | 2.95   |      |
|                            | 55         | -        | -     | -     | -     | -     | -      | 6 490  | 4.33   | 8 220  | 4.18   | 9 960  | 4.05   | 11 660 | 3.94   |      |
| HRH049U4 *                 | 35         | 4 830    | 2.92  | 6 500 | 2.87  | 8 350 | 2.80   | 10 340 | 2.72   | 12 390 | 2.64   | 14 450 | 2.57   | 16 480 | 2.52   |      |
|                            | 45         | -        | -     | -     | -     | 7 040 | 3.57   | 8 960  | 3.46   | 10 940 | 3.36   | 12 940 | 3.27   | 14 890 | 3.21   |      |
|                            | 55         | -        | -     | -     | -     | -     | -      | 7 260  | 4.45   | 9 190  | 4.29   | 11 140 | 4.15   | 13 040 | 4.05   |      |
| HRH051U4                   | 35         | 5 140    | 2.99  | 6 920 | 2.94  | 8 890 | 2.86   | 11 000 | 2.78   | 13 180 | 2.70   | 15 380 | 2.63   | 17 540 | 2.58   |      |
|                            | 45         | -        | -     | -     | -     | 7 490 | 3.69   | 9 530  | 3.57   | 11 640 | 3.47   | 13 760 | 3.38   | 15 830 | 3.31   |      |
|                            | 55         | -        | -     | -     | -     | -     | -      | 7 710  | 4.64   | 9 770  | 4.47   | 11 840 | 4.33   | 13 850 | 4.22   |      |
| HRH054U4                   | 35         | 5 370    | 3.21  | 7 230 | 3.16  | 9 290 | 3.08   | 11 500 | 2.99   | 13 780 | 2.90   | 16 080 | 2.83   | 18 330 | 2.78   |      |
|                            | 45         | -        | -     | -     | -     | 7 800 | 3.91   | 9 920  | 3.80   | 12 120 | 3.68   | 14 320 | 3.58   | 16 480 | 3.52   |      |
|                            | 55         | -        | -     | -     | -     | -     | -      | 7 990  | 4.85   | 10 130 | 4.68   | 12 270 | 4.53   | 14 360 | 4.41   |      |
| HRH056U4 *                 | 35         | 5 560    | 3.22  | 7 490 | 3.16  | 9 620 | 3.08   | 11 910 | 2.99   | 14 270 | 2.90   | 16 650 | 2.83   | 18 980 | 2.78   |      |
|                            | 45         | -        | -     | -     | -     | 8 080 | 3.99   | 10 280 | 3.86   | 12 550 | 3.75   | 14 840 | 3.65   | 17 080 | 3.58   |      |
|                            | 55         | -        | -     | -     | -     | -     | -      | 8 290  | 5.05   | 10 500 | 4.87   | 12 730 | 4.71   | 14 900 | 4.59   |      |
| LIGHT<br>COMMERCIAL SCROLL | HLH068T4 * | 35       | 7 480 | 3.47  | 9 340 | 3.51  | 11 420 | 3.53   | 13 800 | 3.53   | 16 590 | 3.51   | 19 900 | 3.46   | 23 810 | 3.38 |
|                            |            | 45       | -     | -     | -     | -     | 10 000 | 4.33   | 12 290 | 4.35   | 14 810 | 4.35   | 17 670 | 4.32   | 20 970 | 4.27 |
|                            |            | 55       | -     | -     | -     | -     | -      | -      | 10 250 | 5.34   | 12 770 | 5.35   | 15 470 | 5.34   | 18 440 | 5.30 |
|                            | HLJ072T4 * | 35       | *     |       |       |       |        |        |        |        |        |        |        |        |        |      |
|                            |            | 45       | *     |       |       |       |        |        |        |        |        |        |        |        |        |      |
|                            |            | 55       | *     |       |       |       |        |        |        |        |        |        |        |        |        |      |
| HLJ083T4 *                 | 35         | *        |       |       |       |       |        |        |        |        |        |        |        |        |        |      |
|                            | 45         | *        |       |       |       |       |        |        |        |        |        |        |        |        |        |      |
|                            | 55         | *        |       |       |       |       |        |        |        |        |        |        |        |        |        |      |

\* Consult Danfoss for product availability

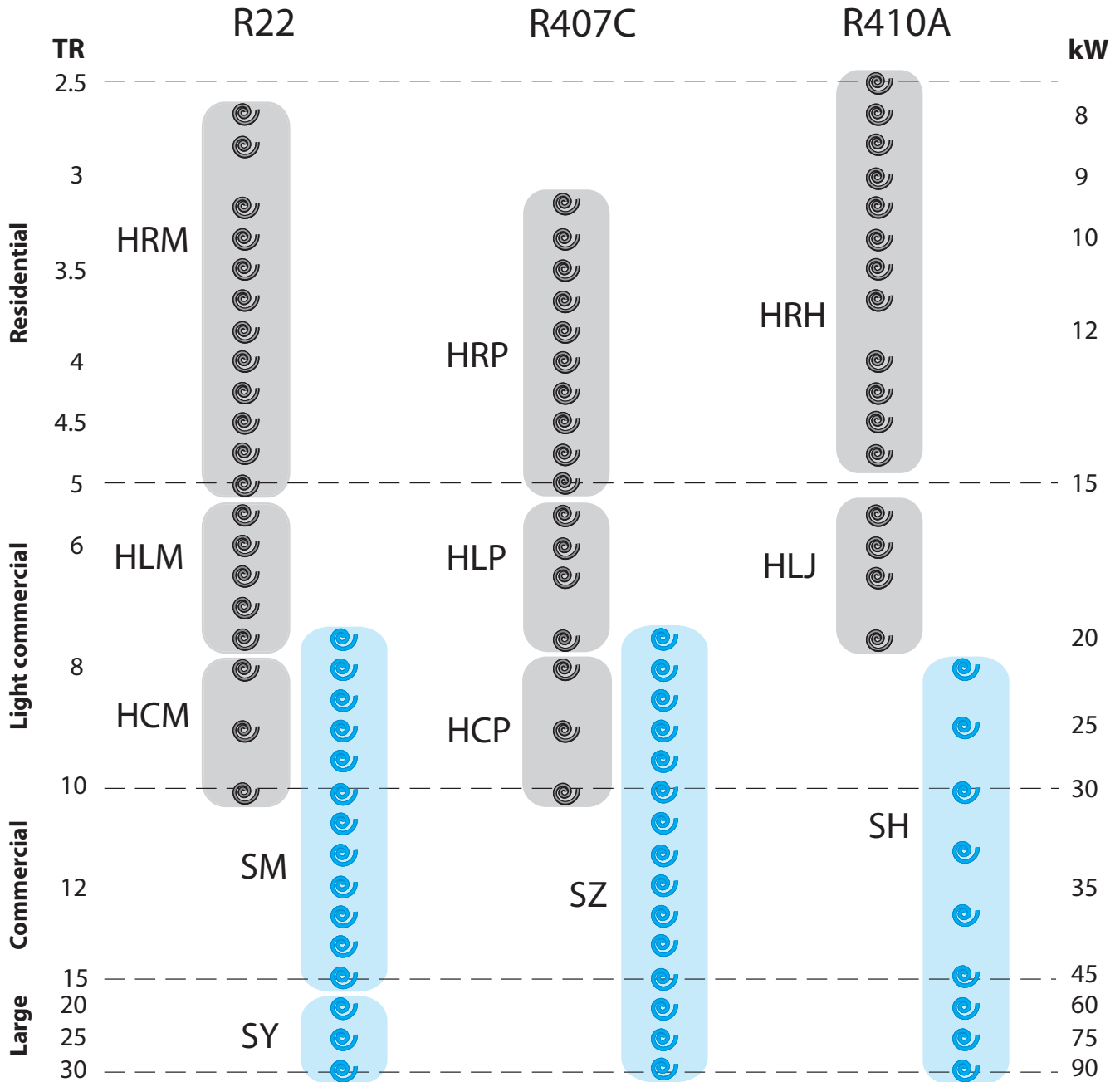
Legend: **To:** Evaporating temperature in °C  
**Tc:** Condensing temperature in °C

**Qo:** Cooling capacity in W  
**Pe:** Power input in kW

Superheat = 11.1 K  
Subcooling = 8.3 K

Voltage: 400 V / 3 / 50 Hz

# Full Danfoss A/C scroll compressor line-up



## Product range

### R22

|                            |        | Nominal Voltage          |                          |                      |
|----------------------------|--------|--------------------------|--------------------------|----------------------|
|                            |        | Code 4<br>380-400/3/50Hz | Code 5<br>220-240/1/50Hz | Code 7<br>500/3/50Hz |
| RESIDENTIAL<br>SCROLL      | Model  | HRM032                   | ○                        | ○                    |
|                            | HRM034 | ○                        | -                        | -                    |
|                            | HRM040 | ●                        | -                        | ●                    |
|                            | HRM042 | ●                        | ○                        | ●                    |
|                            | HRM045 | ●                        | ●                        | ●                    |
|                            | HRM047 | ●                        | ●                        | ●                    |
|                            | HRM048 | ○                        | -                        | ○                    |
|                            | HRM051 | ○                        | -                        | ○                    |
|                            | HRM054 | ●                        | -                        | ●                    |
|                            | HRM058 | ●                        | ●                        | ●                    |
|                            | HRM060 | ●                        | ●                        | ●                    |
| LIGHT COMMERCIAL<br>SCROLL | HLM068 | ○                        | ○                        | -                    |
|                            | HLM072 | ○                        | ●                        | -                    |
|                            | HLM075 | ●                        | ○                        | ○                    |
|                            | HLM078 | ○                        | -                        | -                    |
|                            | HLM081 | ●                        | ○                        | ○                    |
|                            | HCM094 | ●                        | -                        | ●                    |
|                            | HCM109 | ●                        | -                        | -                    |
| HCM120                     | ●      | -                        | -                        |                      |

### R407C

|                            |        | Nominal Voltage          |                          |                      |
|----------------------------|--------|--------------------------|--------------------------|----------------------|
|                            |        | Code 4<br>380-400/3/50Hz | Code 5<br>220-240/1/50Hz | Code 7<br>500/3/50Hz |
| RESIDENTIAL<br>SCROLL      | HRP038 | ●                        | ●                        | -                    |
|                            | HRP040 | ●                        | -                        | -                    |
|                            | HRP042 | ●                        | -                        | -                    |
|                            | HRP045 | ●                        | ●                        | -                    |
|                            | HRP047 | ●                        | ●                        | -                    |
|                            | HRP048 | ○                        | -                        | -                    |
|                            | HRP051 | ●                        | -                        | ○                    |
|                            | HRP054 | ●                        | -                        | ○                    |
|                            | HRP058 | ●                        | ●                        | ○                    |
| HRP060                     | ●      | ●                        | ○                        |                      |
| LIGHT COMMERCIAL<br>SCROLL | HLP068 | -                        | ○                        | -                    |
|                            | HLP072 | ●                        | ●                        | -                    |
|                            | HLP075 | ●                        | ●                        | ○                    |
|                            | HLP081 | ●                        | ●                        | ○                    |
|                            | HCP094 | ●                        | -                        | -                    |
|                            | HCP109 | ●                        | -                        | -                    |
| HCP120                     | ●      | -                        | -                        |                      |

### R410A

|                            |        | Nominal Voltage          |                          |                      |
|----------------------------|--------|--------------------------|--------------------------|----------------------|
|                            |        | Code 4<br>380-400/3/50Hz | Code 5<br>220-240/1/50Hz | Code 7<br>500/3/50Hz |
| RESIDENTIAL<br>SCROLL      | HRH031 | ○                        | ○                        | ○                    |
|                            | HRH032 | ●                        | ●                        | ●                    |
|                            | HRH034 | ○                        | -                        | ○                    |
|                            | HRH036 | ●                        | ●                        | ●                    |
|                            | HRH038 | ○                        | ○                        | ○                    |
|                            | HRH040 | ●                        | ●                        | ●                    |
|                            | HRH041 | ○                        | -                        | ○                    |
|                            | HRH044 | ○                        | -                        | ○                    |
|                            | HRH049 | ○                        | -                        | ○                    |
|                            | HRH051 | ●                        | ●                        | ●                    |
|                            | HRH054 | ●                        | ●                        | ●                    |
|                            | HRH056 | ○                        | ○                        | ○                    |
| LIGHT COMMERCIAL<br>SCROLL | HLH068 | ○                        | ○                        | ○                    |
|                            | HLJ072 | ○                        | ○                        | -                    |
|                            | HLJ083 | ○                        | ○                        | ○                    |

- : Products and product data available
- : Consult Danfoss for product availability
- : Not available

## The Danfoss product range for the refrigeration and air conditioning industry

Danfoss Refrigeration & Air Conditioning is a worldwide manufacturer with a leading position in industrial, commercial and supermarket refrigeration as well as air conditioning and climate solutions.

We focus on our core business of making quality products, components and systems that enhance performance and reduce total life cycle costs – the key to major savings.



*Controls for Commercial Refrigeration*



*Controls for Industrial Refrigeration*



*Electronic Controls & Sensors*



*Industrial Automation*



*Household Compressors*



*Commercial Compressors*



*Sub-Assemblies*



*Thermostats*

We are offering a single source for one of the widest ranges of innovative refrigeration and air conditioning components and systems in the world. And, we back technical solutions with business solution to help your company reduce costs, streamline processes and achieve your business goals.

**Danfoss A/S • [www.danfoss.com](http://www.danfoss.com)**